



AP1200F

Your power source does not have to be a white elephant.



1U x 2U
1200 watts
AC front end.

- ✓ **1200-Watt Output, 12 Vout**
- ✓ **Universal Input**
- ✓ **Up to 6000-Watt System Power**
- ✓ **Power Factor Correction**
- ✓ **High Density 16 Watts /cubic in**
- ✓ **Highly Efficient**

features

INPUT
CHARACTERISTICS

	Min	Typ	Max	Units/Comments
Input	90	115	264	Volts
Input Frequency	47	60	63	Hz
Input Current			16.5	A
Inrush Current (Peak)			50	A; at 25 °C
Input Leakage Current			3	mA
Power Factor		0.99		Nominal Line @ FL
Efficiency		87		%; Nominal Line @ FL
Holdup Time		16	20	ms

OUTPUT
CHARACTERISTICS

	Min	Typ	Max	Units/Comments
Output Voltage	11.75	12	12.25	Volts
Set Point		12		Volts
Total Power	0		1200	Watts
System Power			6000	Watts
Line Regulation			1	%
Load Regulation			1	%
Output Ripple & Noise		100	200	mV; 20MHz bandwidth
Transient Response		3	4	%; 1A/μS; 2% within 5ms
OverVoltage Protection	13.2	13.8	14.6	Volts
OverCurrent Protection	107	111	120	%
Short Circuit Protection				Yes
Current Sharing				3rd Wire
Turn-On Time		1.8	2.5	Sec



GENERAL CHARACTERISTICS

	Min	Typ	Max	Units/Measurement
Density			16	Watts per cubic inch
EMI Compliance				FCC Class A CISPR
Operating Temp. Range	0	+25	+50	°C; for max. operating temp., consult with factory.
Storage Temp. Range	-20		+60	°C
Reliability		150,000		Hours at 40°C
Isolation			2,250	Volts; Input to Output

SIGNALS AND MONITORING

DC OK , AC OK signals and front panel LEDs

▶ **1U X 2U**
in ACTUAL size



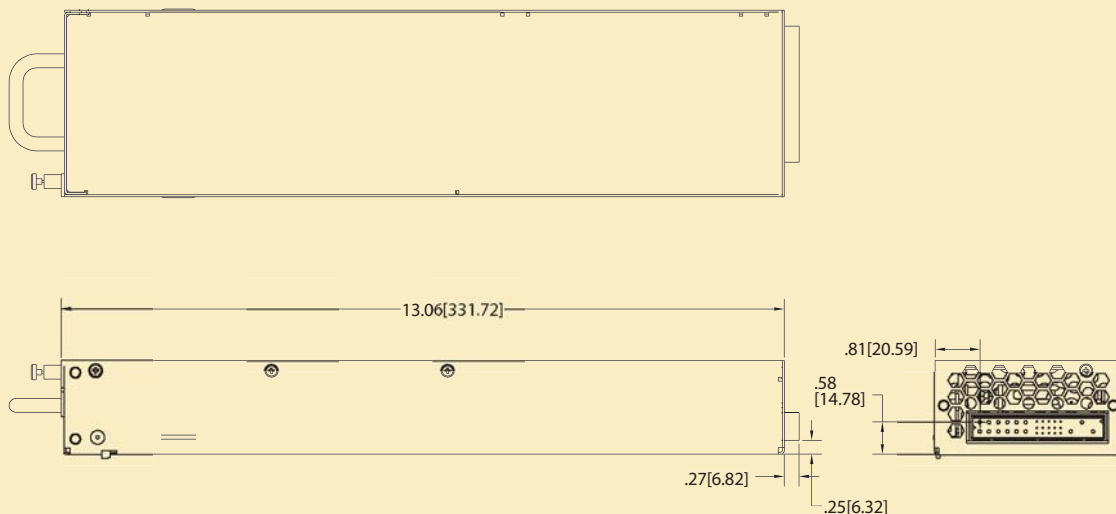
CASE DRAWING

Dimension in inch/cm

Tolerance:

.xx +/- .020

.xxx +/- .010



Specifications subject to change without prior notice.



Power For The New Technology

Tel: 877-441-2002
www.martekpower.com
sales@martekpower.com